

Features

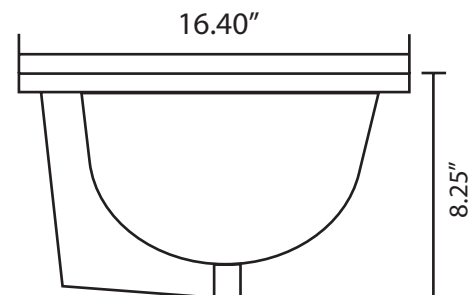
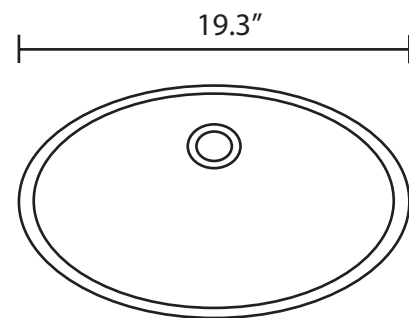


- Standard 1.75" drain
- Easy under-counter installation
- Overflow drain
- Easy-to-clean polished surface



Specifications:

- Easy Under-Counter Installation
- Durable & Scratch-Resistant Non-Porous Finish
- Easy-to-Clean Polished Surface
- Coordinates with all Faucets
- Factory water tested
- Certified by the c/UPC & UPC (Uniform Plumbing Code)
- One Year Limited Warranty
- **Product Weight:** 12 lbs
- **L:** 16.40" **W:** 19.30" **H:** 8.25"



Parts:

- SM-PD023C : Commercial Pop-up drain
- SM-PD023R : Residential Pop-up drain